



# SLUDGEKAT™

*Hydraulic-Driven, Positive Displacement  
Sludge Pump*



*The Pump People®*

## APPLICATIONS:

Environmental  
Clean-up

Tank Cleaning

Wastewater  
Treatment

Clarifying Pits

Fly Ash Disposal

Pulp & Paper

Food Processing

Cement Plants

Mud Pump  
Applications

Loading & Unloading  
Rail Cars

Frac Tank Farms

Oil & Gas Drilling

Agriculture



# SLUDGEKAT™

*Gorman-Rupp's NEW Hydraulic-Driven,  
Positive Displacement Sludge Pump*



All SludgeKat™ pumps come standard with a one-year warranty.

Gorman-Rupp's self-priming, positive displacement, hydraulic piston pump is designed to tackle your toughest pumping requirements. For applications involving heavy sludges, slurries and other viscous materials, the SludgeKat™ offers powerful, reliable pumping where other pumps fail.

The SludgeKat is equipped with 4" suction and discharge ports. This pump is capable of providing flows up to 226 GPM and heads up to 390'. The SludgeKat can handle solids up to 2.4" without damage. The anti-clog ball valve design feature is ideal if rags, rocks, bags and bolts present a problem.

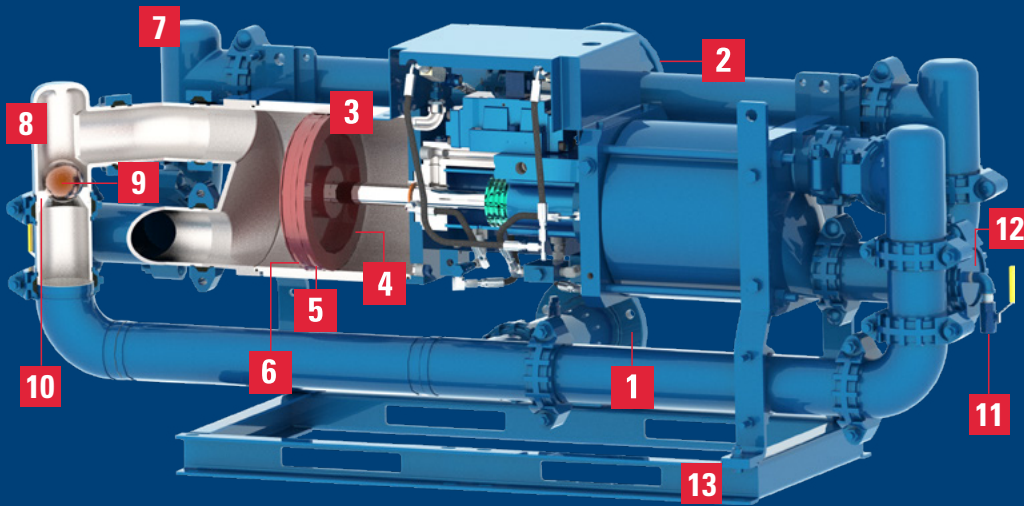
The SludgeKat is available as a complete package mounted to the hydraulic power pack with fuel tank base or as a pump end replacement kit mounted to the pump end frame. Skid-mounted units come standard with wheel kit and the latest in Tier IV engine-driven technology.

Gorman-Rupp is committed to taking care of your pumping needs long after delivery. The quality manufacturing and testing that goes into every SludgeKat guarantees long-lasting, trouble-free operation. And, we back every part and working component with a one-year/unlimited-hour warranty to keep you moving sludge for the long-haul.



The SludgeKat™ comes standard with DOT-approved wheel kit. The pump end frame can be detached from unit and when connected to optional hoses (up to 150'), provides increased portability around the job site previously inaccessible by other pumps.





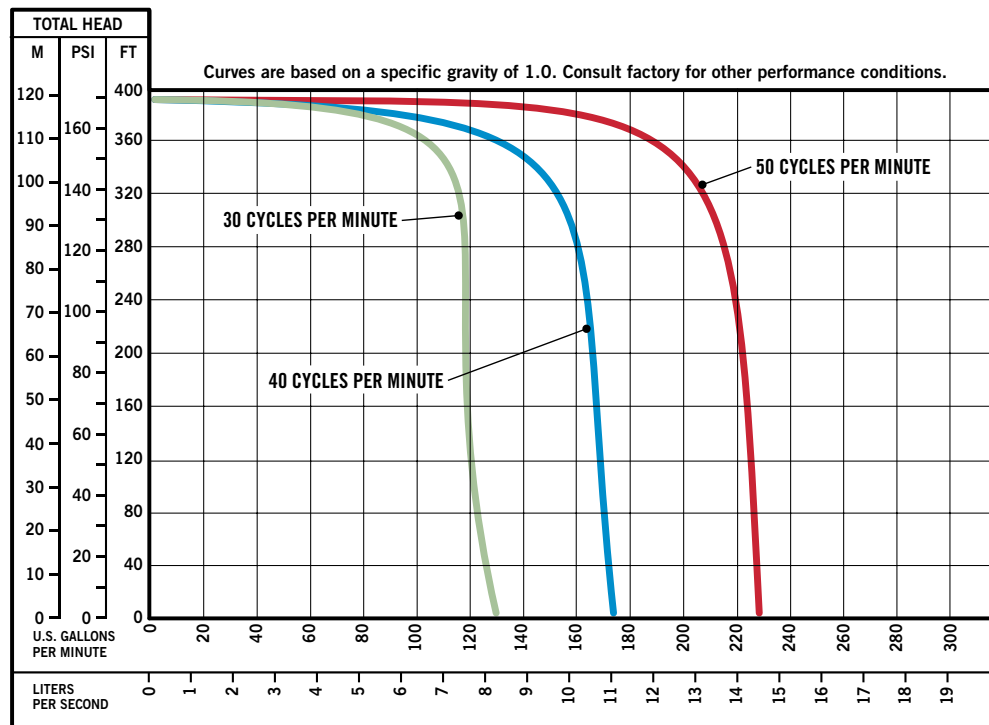
## Specifications

Pump Size: 4" (100 mm)  
 Max. Capacity: 226 GPM (14.3 lps)  
 Max. Solids: 2.4" (61.0 mm)  
 Max. Head: 390' (118.9 m)  
 Materials of Construction: Cast Iron, Ductile Iron, Steel (Hardened Chromed Product Cylinders)

- 01 | Suction
- 02 | Discharge
- 03 | Product Cylinder
- 04 | Product Piston
- 05 | Wiper
- 06 | Seal
- 07 | Discharge Ball Valve
- 08 | Suction Valve
- 09 | Ball Valve
- 10 | Valve Seat
- 11 | Clean Out Vent
- 12 | Clean Out Port  
*One At Each End*
- 13 | Pump End Frame

## Pump Performance Data

SludgeKat™ – Self-Priming, Positive Displacement, Hydraulic Piston Pump



## SludgeKat™



HSK4A-KD11903TCR FT4

PUMP SIZE (SUC. X DIS.)	MAX. CAPACITY	MAX. HEAD	MAX. HYDRAULIC PRESSURE	MAX. SOLIDS	FUEL TANK	ENGINE
4" × 4" (100 mm × 100 mm)	226 GPM (14.3 lps)	390' (119.0 m)	2000 PSI (137.9 bar)	2.4" (61.0 mm)	52 gallon (197 liters)	Kohler KD11903TCR Tier 4 – 48 HP

# FLUID-HANDLING EQUIPMENT DESIGNED WITH YOUR NEEDS IN MIND



## ★ Manufacturing Facilities

### ● Distribution Centers

Gorman-Rupp USA  
Mansfield, Ohio, USA  
Gorman-Rupp Canada  
St. Thomas, Ontario, Canada

Gorman-Rupp Europe  
Culemborg, Netherlands  
Namur, Belgium  
Gorman-Rupp Africa  
Cape Town, South Africa  
Durban, South Africa  
Johannesburg, South Africa (Headquarters)

**Distribution Centers**  
Dubai, United Arab Emirates  
Grand Prairie, Texas, USA  
Culemborg, Netherlands

Engineering and manufacturing superiority has been the hallmark of Gorman-Rupp since our inception in 1933. Today we bring our products to life in some of the most efficient, modern and state-of-the-art manufacturing facilities in the world. Gorman-Rupp has a selection of nearly 3,000 pump models, and our world-class team of distributors has worked closely with thousands of end users around the world. We have the proven expertise and the resources to specify, manufacture, test and service your pump, and to ensure reliable performance for the long haul.



**GORMAN-RUPP PUMPS**  
P.O. BOX 1217  
MANSFIELD, OHIO 44901-1217 | USA  
TEL: 419.755.1011 | FAX: 419.755.1251

**GRPUMPS.COM**



*The Pump People®*

Product information is subject to change; consult factory for details. All images are for illustrative purposes only. Actual product may vary from printed representation.

© 2020 The Gorman-Rupp Company. All rights reserved. Printed in the USA