

## BXUV.V314

## Design/System/Construction/Assembly Usage Disclaimer

- Authorities Having Jurisdiction should be consulted in all cases as to the particular requirements covering the installation and use of UL Certified products, equipment, system, devices, and materials.
- Authorities Having Jurisdiction should be consulted before construction.
- Fire resistance assemblies and products are developed by the design submitter and have been investigated by UL for compliance with applicable requirements. The published information cannot always address every construction nuance encountered in the field.
- When field issues arise, it is recommended the first contact for assistance be the technical service staff provided by the product manufacturer noted for the design. Users of fire resistance assemblies are advised to consult the general Guide Information for each product category and each group of assemblies. The Guide Information includes specifics concerning alternate materials and alternate methods of construction.
- Only products which bear UL's Mark are considered Certified.

---

## BXUV - Fire Resistance Ratings - ANSI/UL 263 Certified for United States

## BXUV7 - Fire Resistance Ratings - CAN/ULC-S101 Certified for Canada

See General Information for Fire-resistance Ratings - ANSI/UL 263 Certified for United States  
Design Criteria and Allowable Variances

See General Information for Fire Resistance Ratings - CAN/ULC-S101 Certified for Canada  
Design Criteria and Allowable Variances

### **Design No. V314**

March 13, 2020

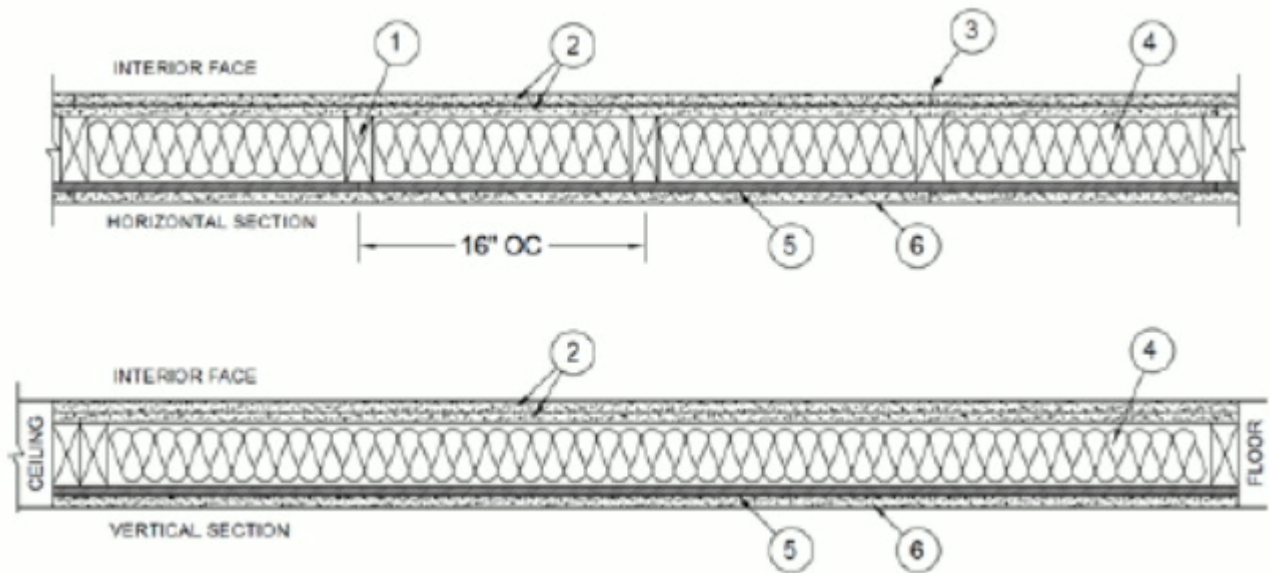
#### **Bearing Wall Rating - 1 Hr Rating Exposed to Fire on Exterior Face (See Item 8)**

#### **Bearing Wall Rating - 2 Hr Rating Exposed to Fire on Interior Face**

#### **Finish Rating — 42 min (Exposed to Fire on Interior Face)**

#### **Loaded Per 2012 NDS Supplement, ASD Method, Wall Braced Mid-Height**

**\* Indicates such products shall bear the UL or cUL Certification Mark for jurisdictions employing the UL or cUL Certification (such as Canada), respectively.**



**1. Framing Members\*** — Pressure-treated, fire-retardant Wood Studs - nominal 2 by 4 in., spaced 16 in. OC effectively fire stopped. As an option, pressure-treated, fire-retardant Wood Studs nominal 2 by 6 in., spaced 24 in. OC effectively fire-stopped.

**HOOVER TREATED WOOD PRODUCTS INC** — Pyro-Guard® treated lumber

**2. Gypsum Board\*** — Nom 5/8 in. thick, 4 ft. wide, two layers applied vertically. Base layer nailed to wood studs and bearing plates 6 in. OC. with 6d cement coated nails, 1-7/8 in. long, 0.0915 in. shank diam. and 1/4 in. diam. head. The face layer, with joints staggered from base layer, nailed to the studs and bearing plates over the base layer, 8 in. OC with 8d cement coated nails, 2-3/8 in. long, 0.113 in. shank diam. 9/32 in. diam. head.

**AMERICAN GYPSUM CO** (View Classification) — Type AGX-1, AG-C, LightRoc

**BEIJING NEW BUILDING MATERIALS PUBLIC LTD CO** (View Classification) — Type DBX-1

**CABOT MANUFACTURING ULC** (View Classification) — Type X, Moisture Resistant Type X, Gypsum Sheathing Type X, Mold & Mildew Resistant Type X, Mold & Mildew Resistant AR Type X, Type Blueglass Exterior Sheathing

**CERTAINTED GYPSUM INC** (View Classification) — Type X, Type X-1, Easi-Lite Type X-2, Type EGRG, GlasRoc, GlasRoc-2, SilentFX, Type C

**CGC INC** (View Classification) — Type AR, Type IP-X1, Type IP-X2, Type IP-AR, Type IPC-AR, Type SCX, Type SHX, Type WRX, Type C, Type ULIX

**CONTINENTAL BUILDING PRODUCTS OPERATING CO, L L C** (View Classification) — Type LGFC-C/A, Type LGFC2A, Type LGFC-WD

**GEORGIA-PACIFIC GYPSUM L L C** (View Classification) — Types GPFS1, Type GPFS2, Type GPFS6, Type DA, Type DAPC, Type DGG, Type DD, Type DS, Type DAP, Type 5, Type 6

**NATIONAL GYPSUM CO** (View Classification) — Type FSW, FSK, FSMR-C, FSL, FSLX, FSK-G, Type FSW-G, Type FSW-5, Type FSW-6, Type FSK-C, Type FSW-C, eXP-C

**PABCO BUILDING PRODUCTS L L C, DBA PABCO GYPSUM** (View Classification) — Type PG-2, Type PG-3W, Type PG-3WS, Type PG-4, Type PG-5W, Type PG-5WS, Type PG-6, Type PG-WRS, Type QuietRock ES, Type C

**PANEL REY S A** (View Classification) — Type PRX, Type RHX, Type MDX, Type, ETX, Type GREX, Type GRIX

**SIAM GYPSUM INDUSTRY (SARABURI) CO LTD** (View Classification) — Type EX-1

**THAI GYPSUM PRODUCTS PCL** (View Classification) — Type X, Type C

**UNITED STATES GYPSUM CO** (View Classification) — Type AR, Type IP-X1, Type IP-X2, Type IP-AR, Type IPC-AR, Type SCX, Type SGX, Type SHX, Type WRX, Type C, Type ULIX

**USG BORAL DRYWALL SFZ LLC** — Types C, SCX, SGX

**USG MEXICO S A DE C V** (View Classification) — Type AR, Type IP-X1, Type IP-X2, Type IP-AR, Type IPC-AR, Type SCX, Type SHX, Type WRX, Type C

2A. **Gypsum Board\*** — For use with Item 4C, as an alternate to Gypsum Board (Item 2) — Nom 5/8 in. thick, 4 ft. wide, two layers applied vertically. Base layer nailed to wood studs and bearing plates 6 in. OC. with 6d cement coated nails, 1-7/8 in. long, 0.0915 in. shank diam. and 1/4 in. diam. head. The face layer, with joints staggered from base layer, nailed to the studs and bearing plates over the base layer, 8 in. OC with 8d cement coated nails, 2-3/8 in. long, 0.113 in. shank diam. 9/32 in. diam. head.

**UNITED STATES GYPSUM CO** (View Classification) — Type C

3. **Joints and Nailheads** — Gypsum board joints covered with tape and joint compound. Nail heads covered with joint compound.

4. **Batts and Blankets\*** — Faced or unfaced mineral fiber insulation, 3-1/2 in. thick, nom 3.0 pcf, pressure fit in the wall cavity between stud, plates, and cross bracing. Insulation may be applied in multiple layers to achieve final thickness. See Batts and Blankets\* (BZJZ) category for names of Classified manufacturers.

4A. **Fiber, Sprayed\*** — As an alternate to Batts and Blankets (Item 4) — Spray applied granulated mineral fiber material. The fiber is applied with adhesive at a minimum density of 4.0 pcf to completely fill the wall cavity in accordance with the application instructions supplied with the product. See **Fiber, Sprayed** (CCAZ).

**AMERICAN ROCKWOOL MANUFACTURING, LLC** — Type Rockwool Premium Plus

4B. **Batts and Blankets\*** — For use with Item 7 or Item 8, as an alternate to Batts and Blankets (Item 4) — Faced or unfaced glass fiber batts 3-1/2 in. thick, nom 1.40 pcf (min R-15 thermal insulation rating), friction fit in the wall cavity between stud, plates, and cross bracing. Insulation may be applied in multiple layers to achieve final thickness. See **Batts and Blankets\*** (BZJZ) category for names of Classified manufacturers.

4C. **Batts and Blankets\*** — For use with Item 2A, as an alternate to Batts and Blankets (Item 4) — Faced or unfaced glass fiber batts 3-1/2 in. thick, nom 0.8 pcf (min R-13 thermal insulation rating), friction fit in the wall cavity between stud, plates, and cross bracing. Insulation may be applied in multiple layers to achieve final thickness. See **Batts and Blankets\*** (BZJZ) category for names of Classified manufacturers.

5. **Building Units\*** — Pressure-treated, fire-retardant plywood installed vertically nailed to the wood framing with 1-7/8 in. long, 6d nails, spaced 6 in. OC. on the perimeter and 12 in. OC. in the field. Vertical and horizontal joints are backed by framing. Panels provided in nominal size of 48 in. wide by 96 in. long by 15/32 in. thick.

**HOOVER TREATED WOOD PRODUCTS INC** — Pyro-Guard treated plywood

6. **Exterior Facings** — Any exterior facing, as authorized by the Authority Having Jurisdiction and installed in accordance with the manufacturer's installation instructions are allowed. Exterior facings may include, but are not limited to the following

examples:

6A. **Molded Plastic\*** — Solid vinyl siding mechanically secured to framing members in accordance with manufacturer's recommended installation details.

6B. **Brick** — Brick veneer, meeting the requirements of local code agencies. Brick veneer attached to the studs with corrugated metal wall ties attached to each stud with 8d cement coated nails, every sixth course of bricks.

6C. **Particle Board Siding** — Oriented strand board, wafer board, or hard board exterior building sidings including patterned panels.

6D. **Plywood** — American Plywood Association rated siding including T1-11 and series 303 textures, rough sawn, MDO, brushed, channel grooved, and lap siding.

6E. **Cementitious Stucco** — Portland cement or synthetic stucco systems (e.g. EIFS) with self-furring metal lath or adhesive base coat. Thickness from 3/8 in. to 3/4 in. depending on system.

6F. **Fiber Cement Siding** — Fiber Cement Lap or Vertical Siding. Minimum 5/16 in. thick, fastened to studs through the Building Units, Item 5, with nails or screws, at the locations specified by the manufacturer.

7. **Exterior Facings** — (Not Shown) One of the following exterior facings shall be installed in accordance with the manufacturer's installation instructions:

7A. **Brick** — Brick veneer, meeting the requirements of local code agencies. Brick veneer attached to the studs with corrugated metal wall ties attached to each stud with 8d cement coated nails, every sixth course of bricks.

7B. **Particle Board Siding\*** — Oriented strand board, wafer board, or hard board exterior building sidings including patterned panels.

7C. **Plywood** — American Plywood Association rated siding including T1-11 and series 303 textures, rough sawn, MDO, brushed, channel grooved, and lap siding.

7D. **Cementitious Stucco** — Portland cement or synthetic stucco systems with self-furring metal lath or adhesive base coat. Thickness from 3/8 in. to 3/4 in. depending on system.

7E. **Fiber Cement Siding** — Fiber Cement Lap or Vertical Siding. Minimum 5/16 in. thick, fastened to studs through the Building Units, Item 5, with nails or screws, at the locations specified by the manufacturer.

8. **Exterior Facings** — (Not Shown) — Required for 1 Hour Rating on the Exterior Face. The following exterior facing shall be installed in accordance with the manufacturer's installation instructions:

8A. **Brick** — Brick veneer, minimum thickness of 2.3 inches, meeting the requirements of local code agencies. Brick veneer attached to the studs with corrugated metal wall ties attached to each stud with 8d cement coated nails, every sixth course of bricks.

8B. **Cementitious Stucco** — Portland cement with self-furring metal lath. Minimum thickness of 3/4 in. with a mix ratio of 1:4 for scratch coat and 1:5 for brown coat, by volume, cement to sand.

**\* Indicates such products shall bear the UL or cUL Certification Mark for jurisdictions employing the UL or cUL Certification (such as Canada), respectively.**

Last Updated on 2020-03-13

UL permits the reproduction of the material contained in the Online Certification Directory subject to the following conditions: 1. The Guide Information, Assemblies, Constructions, Designs, Systems, and/or Certifications (files) must be presented in their entirety and in a non-misleading manner, without any manipulation of the data (or drawings). 2. The statement "Reprinted from the Online Certifications Directory with permission from UL" must appear adjacent to the extracted material. In addition, the reprinted material must include a copyright notice in the following format: "© 2020 UL LLC"

Reprinted from the Online Certifications Directory with permission from UL

© 2020 UL LLC

Access BXUV.V314 on UL Product IQ: <https://iq.ulprospector.com/en/profile?e=15164>  
(Free UL account registration required)