

# SPREAD AXLE LOWBOY SERIES



**55SA-RC**



## 55SA-RC



Robust, low-pressure, four-cylinder hydraulic removable gooseneck maximizes lift capacity and load height.

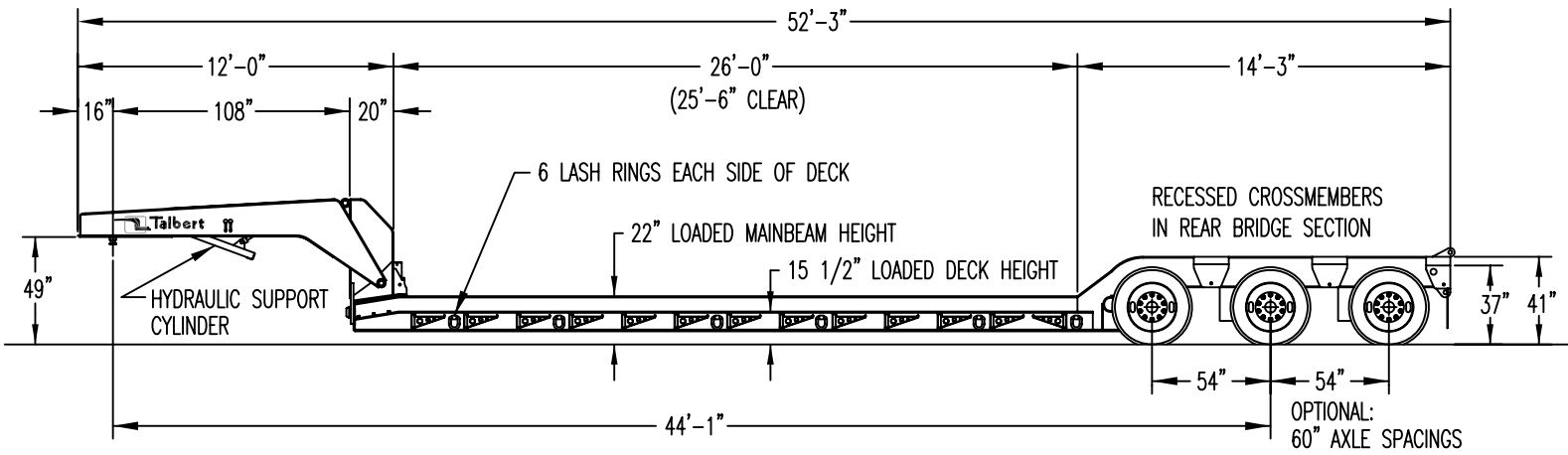


Rugged, fabricated T-1 steel side rail providing industry-leading low 15-1/2 in. loaded deck height in track area.



Allows users to operate as a 3+1 spread-axle with the E1Nitro™. Can also function as four axle close coupled.

# 55SA-RC



- Non-Ground Bearing Gooseneck Design
- 108 in. Swing Radius (Other Lengths Optional)
- Hydraulic Support Cylinder (Standard)
- Front Folding Ramps (Optional)
- 26 ft. 0 in. Deck Length (Other Lengths Optional)
- 12 in. Swinging Outriggers (Not Removable)
- 8 ft. 6 in. Wide Deck (48 in. Out To Mainbeam)
- 22 in. Mainbeams, 15-1/2 in. Loaded Side Height
- 6 in. Loaded Road Clearance
- 2 in. Apitong Flooring
- High Strength 100,000 psi Minimum Yield Steel
- Axles: 25,000 lb. Capacity
- **RIDEWELL** Suspension: Air Ride with Automatic and Talbert +3 in. / -3 in. Manual Control
- Tires: 275/70R22.5 (H)
- Wheels: Steel Disc, Hub Piloted with Outboard Brake Drums
- Bolsters and Half Bolster on Rear Bridge
- 41 in. Mainbeam / 37 in. Bolster Height
- Extra Deep Boom Well in Rear Bridge
- Spring Parking Brake on Axle Two
- 12 Volt LED Sealed Light System
- 4th Axle and 3+1 Spread Capable
- 110,000 lb. Capacity in 1/2 Deck Length
- Estimated Weight: 21,960 lbs.
- **Valspar** R-Cure 800 Red or Black Paint

Various Options Available Upon Request. Specifications Subject To Change Without Notice.



Dealer:

Talbert Manufacturing Inc. \ 1628 W. State Road 114 \ Rensselaer IN 47978 \ 800-348-5232 \ Fax: 219-866-7060

sales@talbertmfg.com \ www.talbertmfg.com

0315 PUB 221C