

AUSTIN CARRY-ALL TAG-A-LONG SERIES

Talbert[®]
SINCE 1938

AC3-25



AC3-25



Pierced I-beam crossmember construction provides ultimate strength and support.

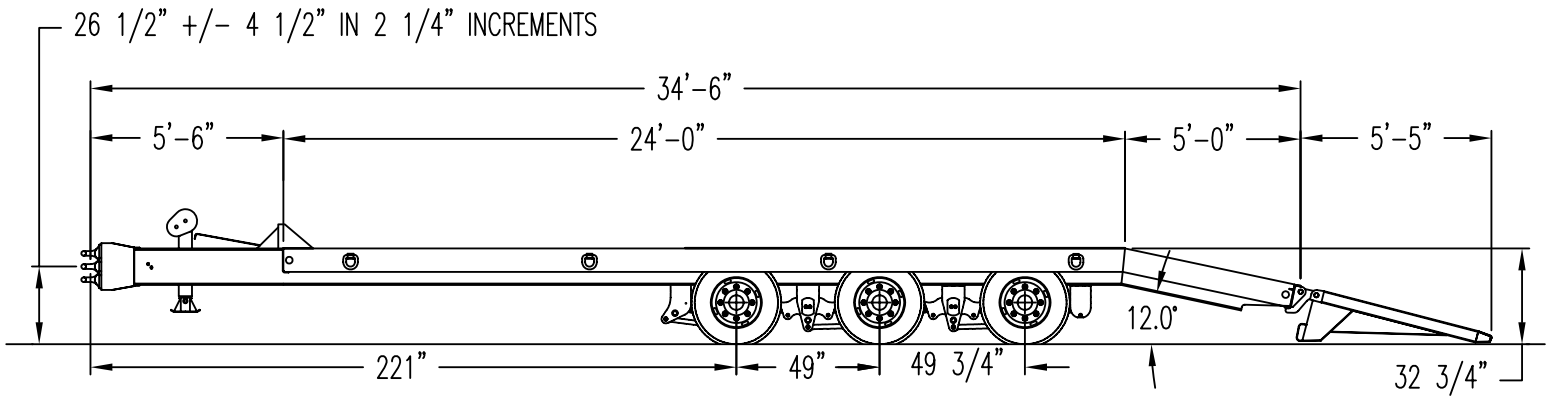


Apitong flooring – proven performance and durability ensures a solid base for any load.



Self-cleaning or optional wood-filled ramps; choose the ramp that's right for your load!

AC3-25



- 50,000 lb. Capacity
- Adjustable 3 in. Pintle Eye
- Safety Chains With Hooks
- 25,000 lb. (2) Two-Speed Landing Leg
- Lockable Tool Box
- 8 in. Headboard
- 29 ft. 0 in. Deck (24 ft. 0 in. Flat; 5 ft. 0 in. Beavertail)
- 32-3/4 in. Loaded Deck Height
- 1/4 in. Floor Plate over Wheel Wells
- Self Cleaning Beavertail Outside of Main Beams
- 1-1/2 in. Apitong on Main Deck and Between Mainbeams of Beavertail
- Tires: 215/75R17.5 (H)
- Wheels: Steel Disc Hub Piloted
- Air Brakes with 2S1M ABS
- Self-Cleaning Spring-Assisted Ramps
- Hutch Spring Suspension
- 4 Lash Rings Each Side
- Estimated Weight: 11,700 lbs.
- Valspar R-Cure 800 Red or Black Paint

Various Options Available Upon Request. Specifications Subject To Change Without Notice.



Dealer:

Talbert Manufacturing Inc. \ 1628 W. State Road 114 \ Rensselaer IN 47978 \ 800-348-5232 \ Fax: 219-866-7060

sales@talbertmfg.com \ www.talbertmfg.com

0215 PUB 224B