

# TRAVELING AXLE SERIES



4048TA / 5548TA / 4050TA  
4053TA / 5553TA



# TA SERIES



Heavy duty 15,000 lb. planetary winch with air tensioner and wireless remote is standard equipment.

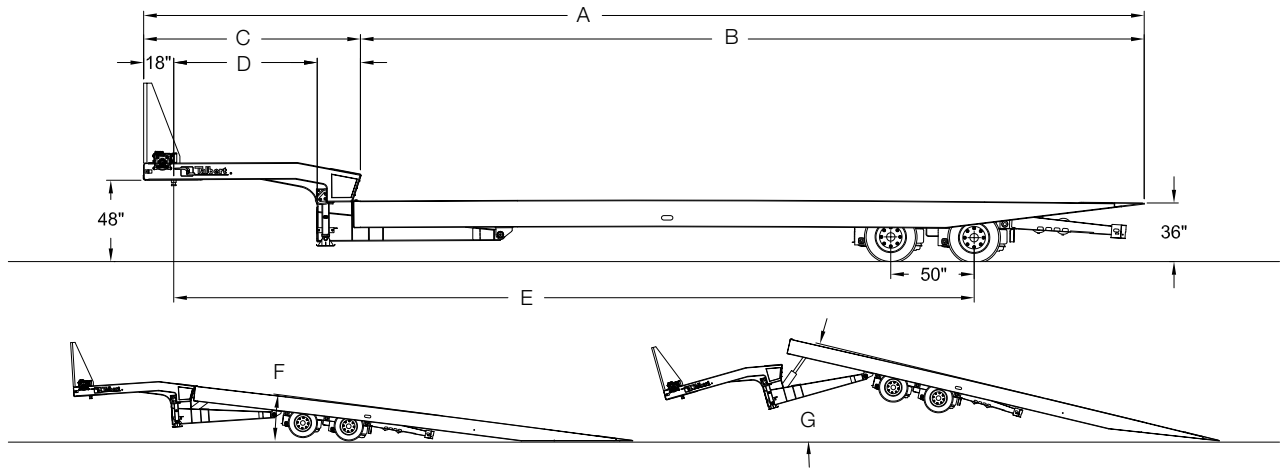


Steel I-beam crossmembers on 9 in. centers provide the framework for the rugged Talbert TA Series.



With an industry-leading 36 in. loaded deck height, the TA Series offers state-of-the-art load versatility.

# TA SERIES



- Four Beam, T-1 & 80k Construction
- 20,000 lb. Planetary Winch with Air-Tensioner, Cable and Shackle
- Six-Function Wireless Remote (Winch, Tilt and Axles)
- Wet-Line Operation (Gas Power Pack Optional)
- Large Cap., Lockable Tool Box on Curb Side with Chain Rack, Updated Hardware and Door Seal
- Two-Speed Landing Gear
- Cable Roller at Front, Center of Lower Deck
- 8 ft. - 6 in. Width
- Updated, Larger Diameter Piggy-Back Cylinder
- 4 in. I-Beam Crossmembers on 9 in. Centers
- 1 1/2 in. Apitong Flooring
- Keyhole Chain Slots in Side Beams and Deck Centerline; both on 36 in. Centers
- Eight Keyhole Chain Slots Across Rear Approach Plate
- Centralized Lube System
- 12 1/4 in. x 7 1/2 in., 2S/1M ABS System
- Hub Piloted Steel Disc Wheels
- Tires: 235/75R17.5 (H) 16 PR
- RIDEWELL Air Ride Suspension
- Right Weigh Digital Load Scale
- 7-Way Plug With LED Lights
- Valspar Aquaguard™ Primer Coat and Valspar R-Cure 800° Top Coat

## Various Options Available Upon Request (Note: Underlined items are optional equipment)

Dimensions	4048TA	5548TA	4050TA	4053TA	5553TA
<b>A =O/A Length</b>	48 ft. 0 in.	48 ft. 0 in.	50 ft. 0 in.	53 ft. 0 in.	53 ft. 0 in.
<b>B = Lower Deck</b>	37 ft. 2 in.	37 ft. 2 in.	39 ft. 2 in.	41ft. 6 in.	41 ft. 6 in.
<b>C = Upper Deck</b>	10 ft. 10 in.	10 ft. 10 in.	10 ft. 10 in.	11ft. 8 in.	11 ft. 8 in.
<b>D = Swing Radius</b>	86 in.	86 in.	86 in.	96 in.	96 in.
<b>E = Axle Setting</b>	40 ft. 8 in.	40 ft. 8 in.	40 ft.	45 ft. 8 in.	45 ft. 8 in.
<b>F = Load Angle</b>	7 Degrees	7 Degrees	7 Degrees	6 Degrees	6 Degrees
<b>G = Dump Angle</b>	14 Degrees	14 Degrees	14 Degrees	14 Degrees	14 Degrees
<b>No. of Axles</b>	2	3	2	2	3
<b>Capacity</b>	80K Dist / 50K in 10 ft.	110K Dist / 80K in 10 ft.	80K Dist / 50K in 10 ft.	80K Dist / 50K in 10 ft.	110K Dist / 80K in 10 ft.
<b>Estimated Weight</b>	18,420 lbs.	21,080 lbs.	19,480 lbs.	19,480 lbs.	22,140 lbs.



Pictured with optional aluminum wheels.

Dealer:



Talbert Manufacturing Inc. \ 1628 W. State Road 114 \ Rensselaer IN 47978 \ 800-348-5232 \ Fax: 219-866-7060

sales@talbertmfg.com \ www.talbertmfg.com

0315 PUB 230C