

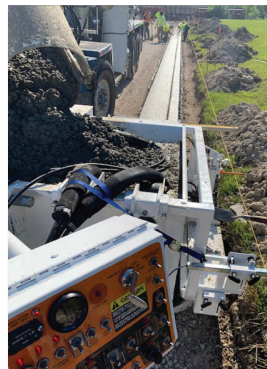
C-101 and CG-200 CURB MACHINE



The C-101 and CG-200 Curb Machines are an economical and productive solution to fill the gap between hand forming and large machine curbing applications.



- Choose AUTOMATIC OR MANUAL TRANSMISSION
- Pour on COMPACTED SOIL OR PAVEMENT
- Versatility to pour at GRADE and BELOW GRADE
- Easily and quickly attach and detach with PATENTED HOPPER SYSTEM
- No waiting for a subcontractor because YOU OWN THE MACHINE

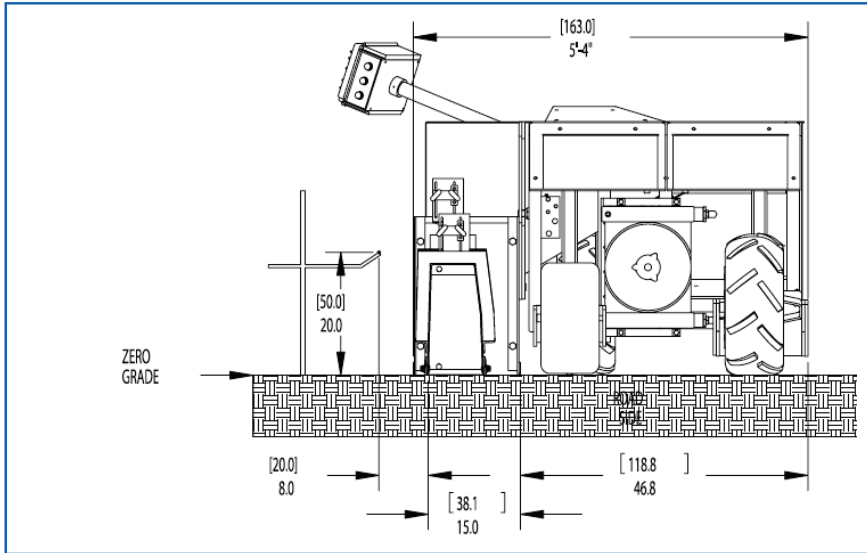


LEADERS IN CONCRETE SLIPFORMING

Miller Formless Company
1805 Dot Sreet
McHenry, IL 60050

office 815-385-7700
fax 815-385-2494
www.millerformless.com

C-101 and CG-200 CURB MACHINE

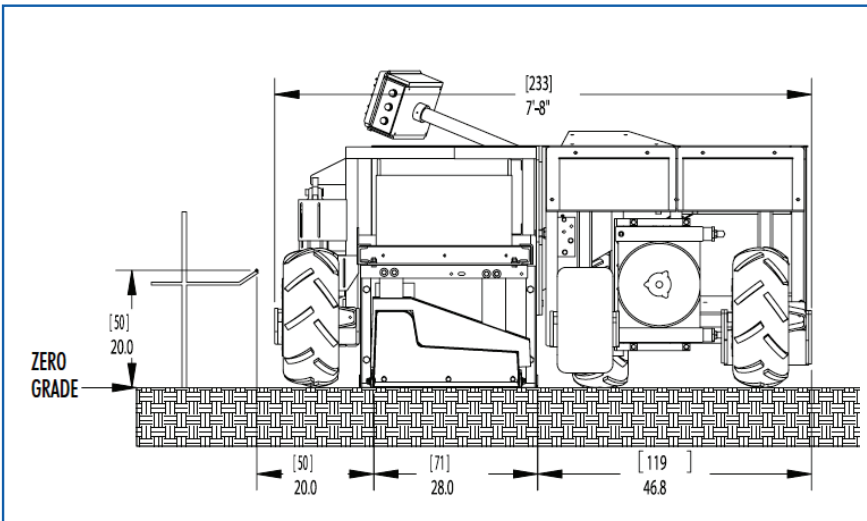


MODEL C-101

Curb widths 12" or less. This includes the complete Main Unit with 12" Hopper.

Optional- Curb widths 18" or less would include Main Unit and 18" Hopper.

Molds sold separately.



MODEL CG-200

Curb widths 24" or less. This includes the complete Main Unit with a Side Drive (SD) unit attachment with a standard 24" Hopper.

Molds sold separately.