

AUSTIN CARRY-ALL TAG-A-LONG SERIES

 **Talbert**[®]
SINCE 1938

AC-10 / AC-20



**AC-10
AC-20**



Pierced I-beam cross members are built on a rock-solid foundation on Talbert Tags and Tilts.

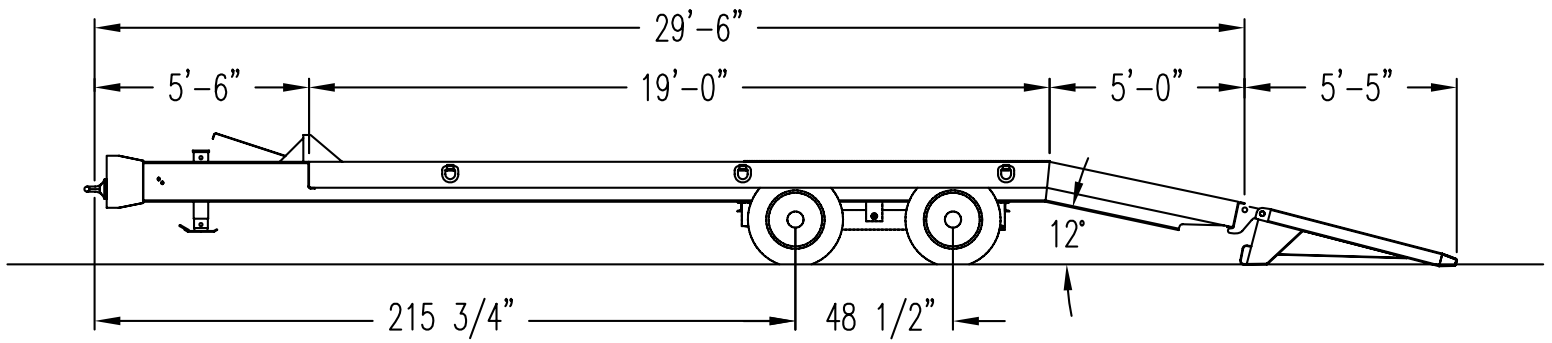


Apitong flooring – proven performance and durability ensures a solid base for any load.



Self-cleaning or optional wood-filled ramps; choose the ramp that's right for your load!

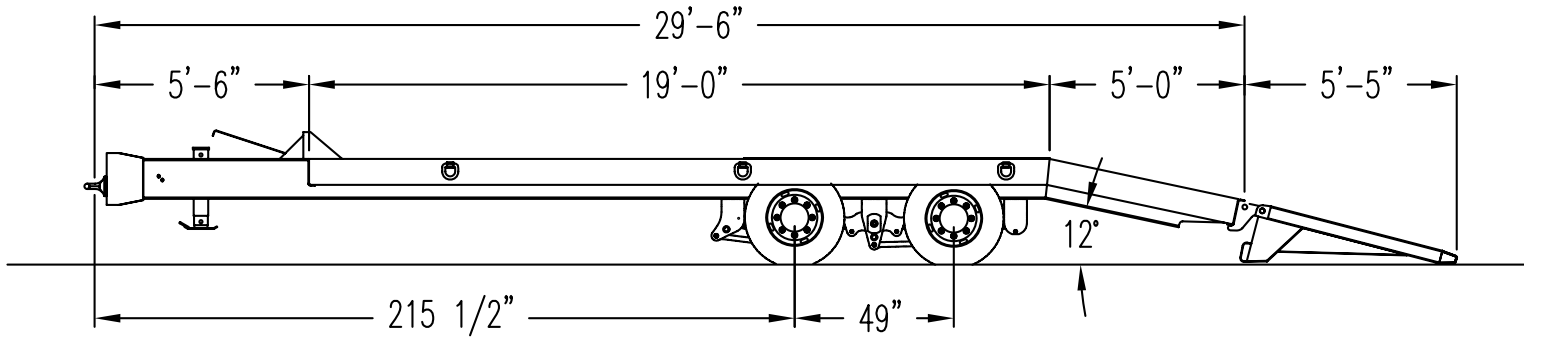
AC-10



- 20,000 lb. Capacity
- Adjustable 3 in. Pintle Eye
- Safety Chains With Hooks
- 15,000 lb. Single-Speed Drop Leg
- Lockable Tool Box
- 8 in. Headboard
- 24 ft. 0 in. Deck (19 ft. 0 in. Flat; 5 ft. 0 in. Beavertail)
- 32-1/4 in. Loaded Deck Height
- 1/4 in. Floor Plate over Wheel Wells
- Self Cleaning Beavertail Outside of Main Beams
- 1-1/2 in. Apitong on Main Deck and between Mainbeams of Beavertail
- Tires: 235/85R16 (E)
- Wheels: Steel Disc Hub Piloted
- Electric Brakes (Breakaway Switch with Battery) (Air Brakes Optional)
- Self Cleaning Spring Assisted Rear Ramps
- Dexter Spring Suspension
- 3 Lash Rings on Each Side
- Estimated Weight: 6,200 lbs.
- Valspar R-Cure 800 Red or Black Paint

Various Options Available Upon Request. Specifications Subject To Change Without Notice.

AC-20



- 40,000 lb. Capacity
- Adjustable 3 in. Pintle Eye
- Safety Chains with Hooks
- 15,000 lb. Single Speed Drop Leg
- Lockable Tool Box
- 8 in. Headboard
- 24 ft. 0 in. Deck (19 ft. 0 in. Flat; 5 ft. 0 in. Beavertail)
- 32-1/4 in. Loaded Deck Height
- 1/4 in. Floor Plate over Wheel Wells
- Self Cleaning Beavertail Outside of Mainbeams
- 1-1/2 in. Apitong on Main Deck and Between Mainbeams of Beavertail
- Tires: 215/75R17.5 (H)
- Wheels: Steel Disc Hub Piloted
- Air Brakes with 2S1M ABS
- Self-Cleaning Spring-Assisted Rear Ramps
- Hutch Spring Suspension
- 3 Lash Rings on Each Side
- Estimated Weight: 8,500 lbs.
- Valspar R-Cure 800 Red or Black Paint

Various Options Available Upon Request. Specifications Subject To Change Without Notice.

Dealer:



Talbert Manufacturing Inc. \ 1628 W. State Road 114 \ Rensselaer IN 47978 \ 800-348-5232 \ Fax: 219-866-7060

sales@talbertmfg.com \ www.talbertmfg.com

0315 PUB 223C